



PADMAWATI
EXTRUSION

CATALOGUE 2019

MOTOR BODY SECTIONS

Padmawati Extrusion Pvt. Ltd., with over 2 decades of experience, with focus on customer need and commitment to **quality, perfection and innovation**, has become one of the leading nationwide providers of aluminium.

The company has been engaged in the complete process of extrusion, from technical sales advise, designing, testing to providing all ancillary, hardware fittings for system windows, glazing systems, exhibition systems and various products and caters to architects, contractors and designers from different sectors & industries.

With an eye on quality, the company has also introduced **aluminium profiles with scratch free sand blasted anodize finish, brush anodize finish, mirror finish and various powder coated finishes** for our discerning customers.

Our way of working reflects delivering an advantage in every key aspect of our business – sourcing, operations and cost. Basically, we are a **one stop shop for extruded aluminium** custom solutions for practically any application.





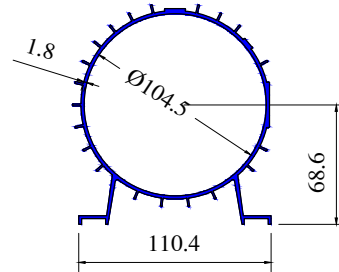
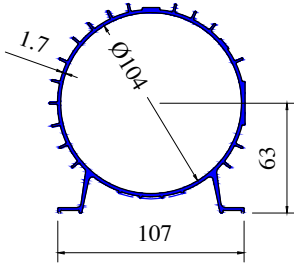
MOTOR BODY SECTIONS

Section No 1411

Wt/Mtr 2.376 Kg

Section No 1412

Wt/Mtr 2.457 Kg

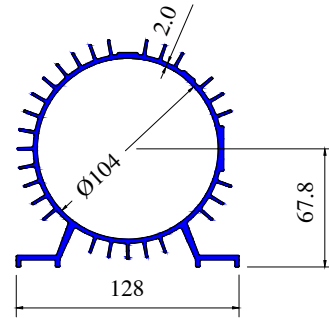
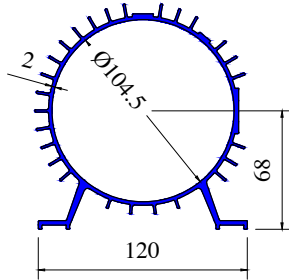


Section No 1416

Wt/Mtr 3.440 Kg

Section No 1417

Wt/Mtr 4.020 Kg

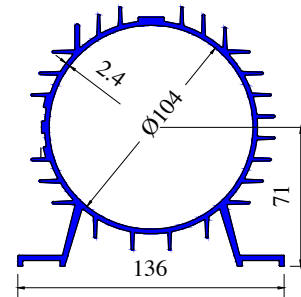
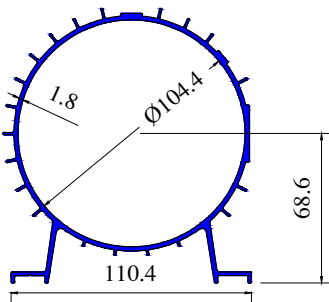


Section No 1421

Wt/Mtr 2.50 Kg

Section No 1433

Wt/Mtr 4.31 Kg

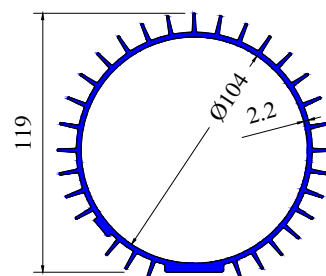
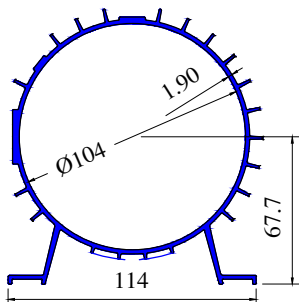


Section No 1423

Wt/Mtr 2.72 Kg

Section No 1424

Wt/Mtr 3.18 Kg

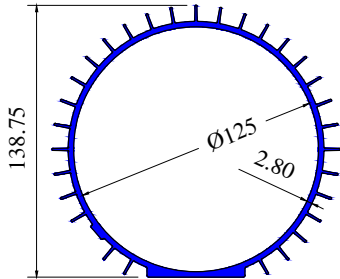




MOTOR BODY SECTIONS

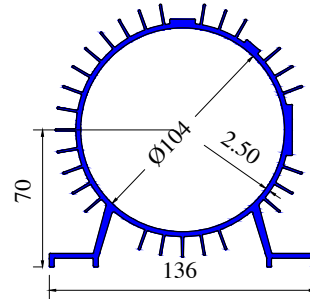
Section No 1425

Wt/Mtr 4.10 Kg



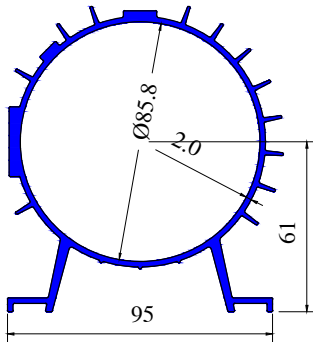
Section No 1426

Wt/Mtr 4.30 Kg



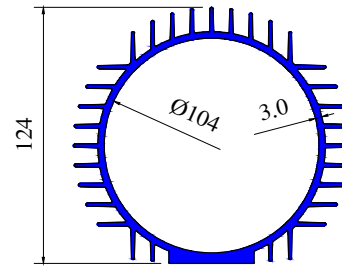
Section No 1427

Wt/Mtr 2.65 Kg



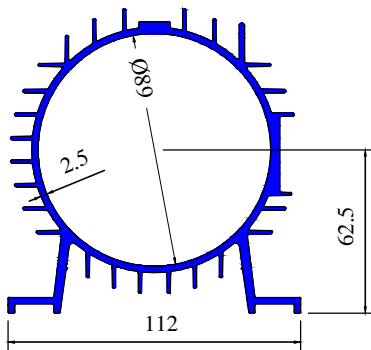
Section No 1428

Wt/Mtr 5.04 Kg



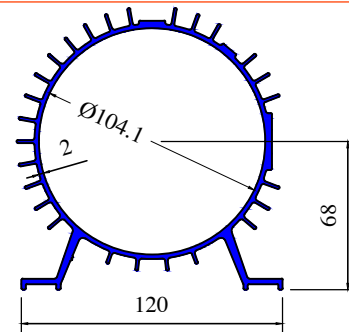
Section No 1434

Wt/Mtr 3.850 Kg



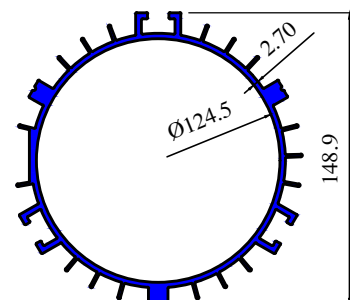
Section No 1444

Wt/Mtr 3.472 Kg



Section No 1465

Wt/Mtr 4.922 Kg





PADMAWATI EXTRUSION PVT. LTD.

5/2, Bharat Ashish Building, D.B. Gupta Road, Paharganj, New Delhi - 110055 (India)
+91 98999 07895, 98112 76191 | Email : info@padmawatiextrusion.com