



PADMAWATI  
EXTRUSION

CATALOGUE 2019

CLEAN ROOM SECTIONS

**Padmawati Extrusion Pvt. Ltd.**, with over 2 decades of experience, with focus on customer need and commitment to **quality, perfection and innovation**, has become one of the leading nationwide providers of aluminium.

The company has been engaged in the complete process of extrusion, from technical sales advise, designing, testing to providing all ancillary, hardware fittings for system windows, glazing systems, exhibition systems and various products and caters to architects, contractors and designers from different sectors & industries.

With an eye on quality, the company has also introduced **aluminium profiles with scratch free sand blasted anodize finish, brush anodize finish, mirror finish and various powder coated finishes** for our discerning customers.

Our way of working reflects delivering an advantage in every key aspect of our business – sourcing, operations and cost. Basically, we are a **one stop shop for extruded aluminium** custom solutions for practically any application.

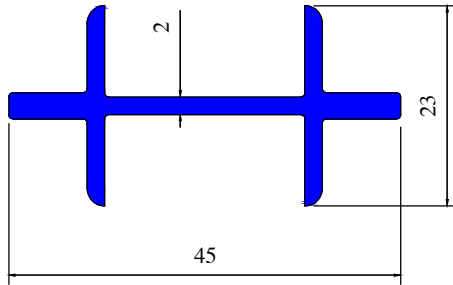




## CLEAN ROOM SECTIONS

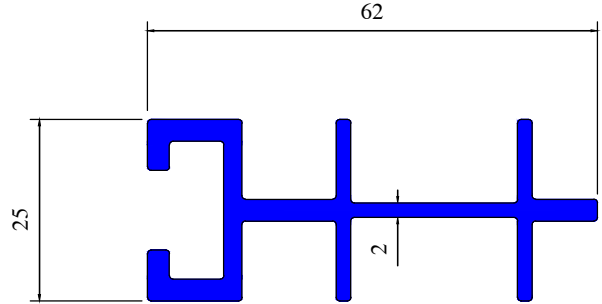
Section No 1189

Wt/Mtr 0.509 Kg



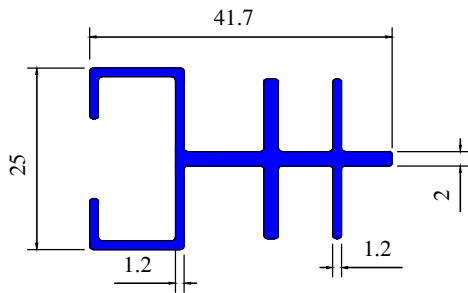
Section No 1188

Wt/Mtr 0.975 Kg



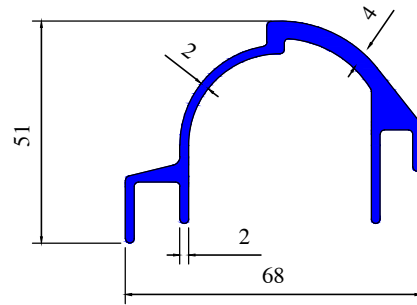
Section No 1542

Wt/Mtr 0.523 Kg



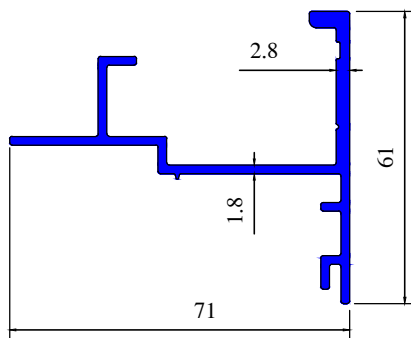
Section No 1153

Wt/Mtr 1.204 Kg



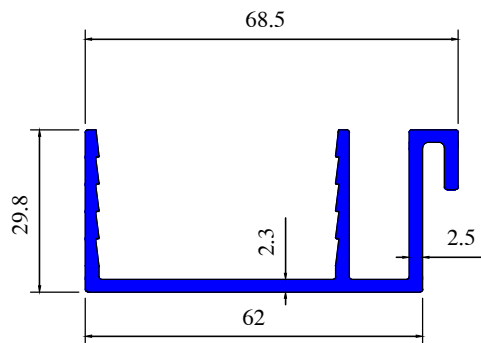
Section No 1163

Wt/Mtr 0.969 Kg



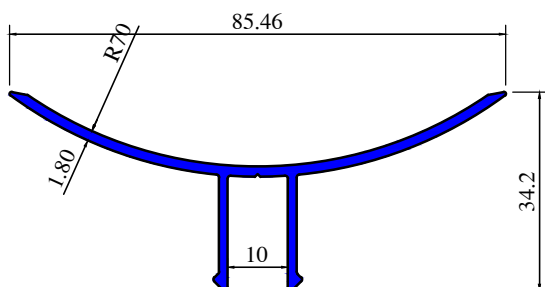
Section No 1509

Wt/Mtr 1.004 Kg



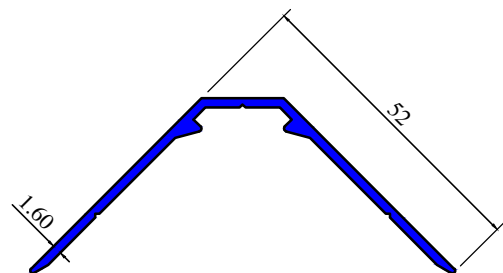
Section Nb 1745

Wt/Mtr 0.597 Kg



Section Nb 1746

Wt/Mtr 0.440 Kg

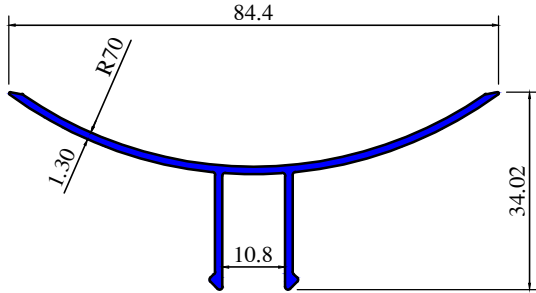




## CLEAN ROOM SECTIONS

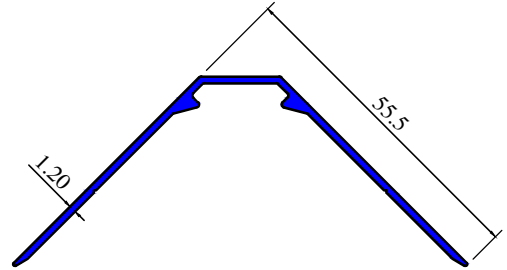
Section Nb 1753

Wt/Mtr 0.456 Kg



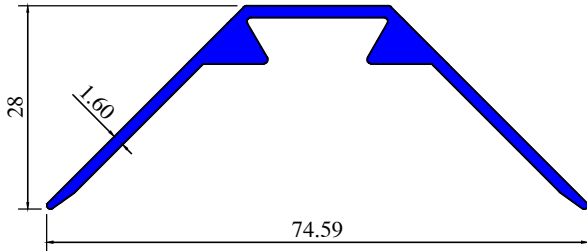
Section Nb 1754

Wt/Mtr 0.362 Kg



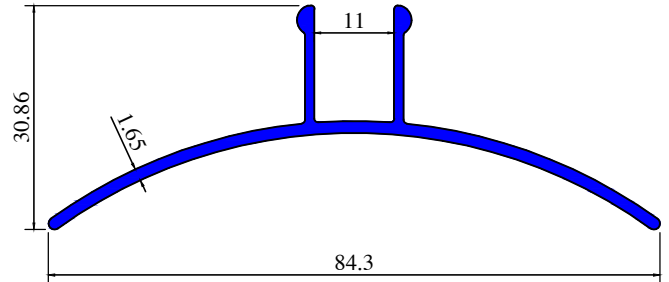
Section Nb 1774

Wt/Mtr 0.556 Kg



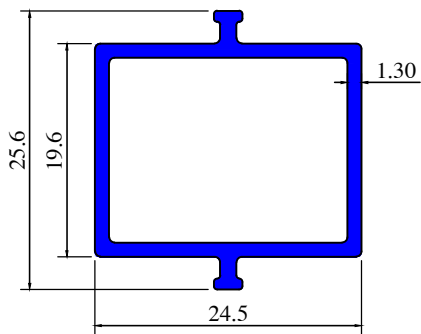
Section Nb 1775

Wt/Mtr 0.529 Kg



Section Nb 1773

Wt/Mtr 0.321 Kg





**PADMAWATI EXTRUSION PVT. LTD.**

5/2, Bharat Ashish Building, D.B. Gupta Road, Paharganj, New Delhi - 110055 (India)  
+91 98999 07895, 98112 76191 | Email : [info@padmawatiextrusion.com](mailto:info@padmawatiextrusion.com)